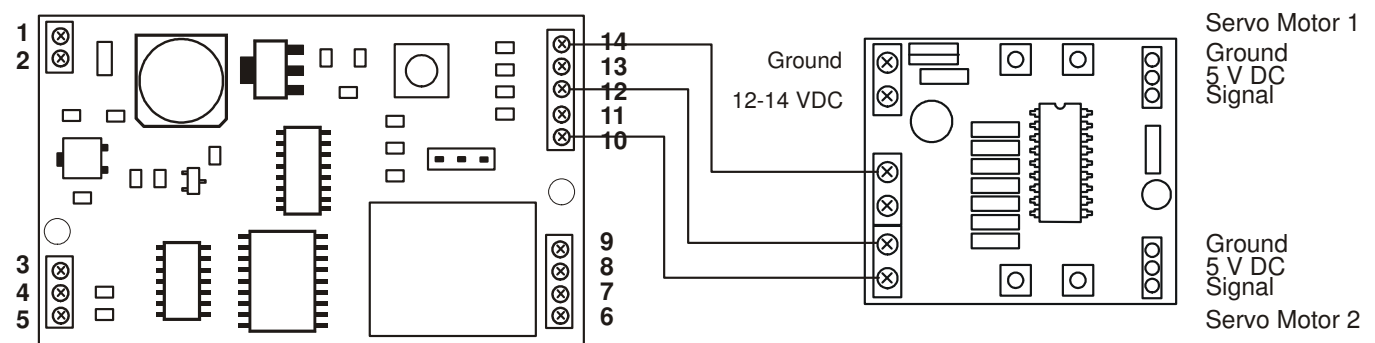


Application Note – AN12

To use a RailCon MD-005 Station Control Module to operate semaphore signals use it in conjunction with a RailCon MD-003 Servo Motor Control module, installed in accordance with the instructions in this Application Note.

Install the MD-005 module in a convenient location on the layout in accordance with the instructions given in the MD-005 Datasheet. Install the MD-003 module in a convenient location on the layout in accordance with the instructions given in the MD-003 Datasheet.

Wire the MD-005 module to the MD-003 module as shown in Figure 1.



Connect terminals 1 to 9 as described in the MD-005 Datasheet.

Figure 1 – MD-005/MD-003 Wiring Interconnection

Connect the starter signal servo motor to the Servo Motor 1 terminals on the MD-003 module.

Connect the home signal servo motor to the Servo Motor 2 terminals on the MD-003 module.

Move the jumper on the MD-005 module from the factory set position to the other pins, refer to Figure 2.

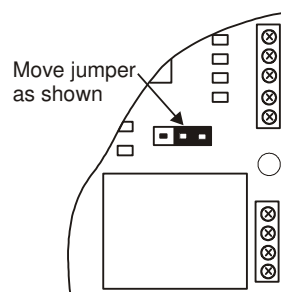


Figure 2 – Jumper Setting